

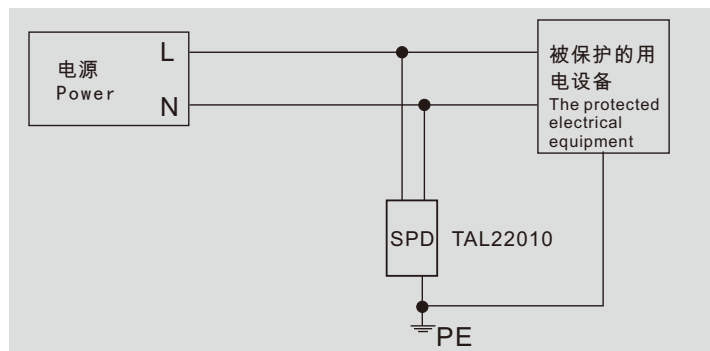
Sunnytek offers a range of transient protection devices to protect solar systems to lightning and other types of transients. This is also useable on other systems we make for hydro power and wind power that have same problems. Transients can come through all cables and destroy electronics so in complex areas a protection is recommended on all incoming cables. The 5 KA capability is standard in most demands for tropical solar power installations.

Sunnytek AL 22010 transient protection device

Arbetsspänning nominellt	110-277 Volt
Max spänning	560 volt
Surge current	5KA / 5000 Ampere
Max discharge 10-20 ms	10 KA
Max voltage in discharge	20 KV
Voltage protection level	1.1 KV
Response time	25 ns (nano seconds)
Back up fuse	16 A
Cable area	Min 1.5 mm ²
Operating temperature	- 40 C to + 80 C
Dimensions	21x36x81 mm
Material	Thermo plastic casing
Test standards	GB 18802, 1.2011 , IEC 61643 - 1 : 2005

We also offer other models of transient protection solutions for all types of houses and equipment that can have problems with over voltage. Demands differs so pls ask us when you know what you have and we make a proposal.

Bad grid is also a same type of problem and here a protection is needed or just a magnetic stabiliser that can adjust voltage and protect at same time.



These devices are not very costly and compared to costs of equipment this is neglect able in costs.

