

## 1. MODEL:TGET380-I-3KW-400R

appearance is subject to change without notice



## 2. CHARACTER

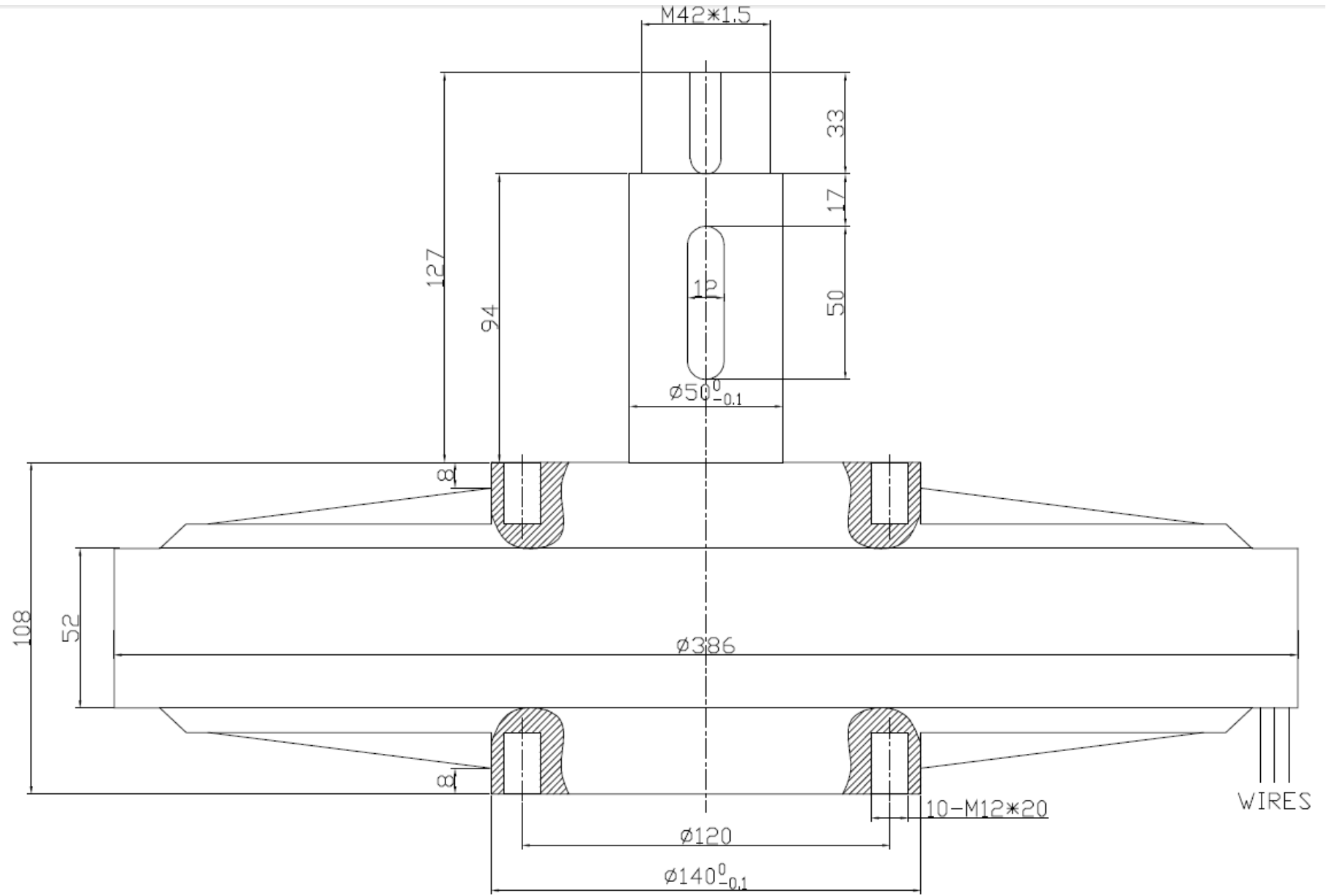
Our disc coreless PMG have advantage in low **Rated speed, Low starting wind speed, Small volume,** Energy Small, **Light weight, Compact structure,High efficiency etc.**

- 1) Coreless, anhysteresis, slotless, have low starting torque.
- 2) No iron loss, have high efficiency
- 3) Adopt unique coreless precision winding technology design precision coil
- 4) Adopt the rare earth permanent magnet, which is multipole, mean gap, high power density and high output power.
- 5) Low speed direct driving, no torque fluctuations
- 6) Compact structure, high ratio of power to volume
- 7) No iron loss, low calorific value, small temperature rise
- 8) Simple structure, easy to install
- 9) The brushless structure, free maintenance

## 3. RANGE OF APPLICATION

0.1kw-3kw vertical axis wind turbine; gasoline generators; hydroelectric generator

#### 4. SHAPE DRAWING



**5. PERFORMANCE PARAMETER**

<b>NO.</b>	<b>PARAMETER</b>	<b>UNITS</b>	<b>DATA</b>
1	Rated power	KW	3
2	Rated speed	RPM	400
3	Rated voltage	V	220VAC
4	Rated Line Current		7.87A
5	Efficiency		>85%
6	Resistance (Line-Line)		-
7	Winding type		Y
8	Insulation Resistance		100Mohm Min(500V DC)
9	Leakage level		<5 ma
10	Start torque	N/M	<0.3
11	Phase		Three phase
12	Structure		inner rotor
13	Stator		coreless
14	Rotor		Permanent magnet type (inner rotor)
15	Housing Material		Aluminum ( Alloy )
16	Shaft Material		Steel
17	Gen. Diameter	mm	386
18	Gen. Length	mm	108
19	Shaft. Diameter	mm	50
20	Gen. Weight	KG	34
21	Gross Weight	KG	41

## 6. CURVE GRAPH

