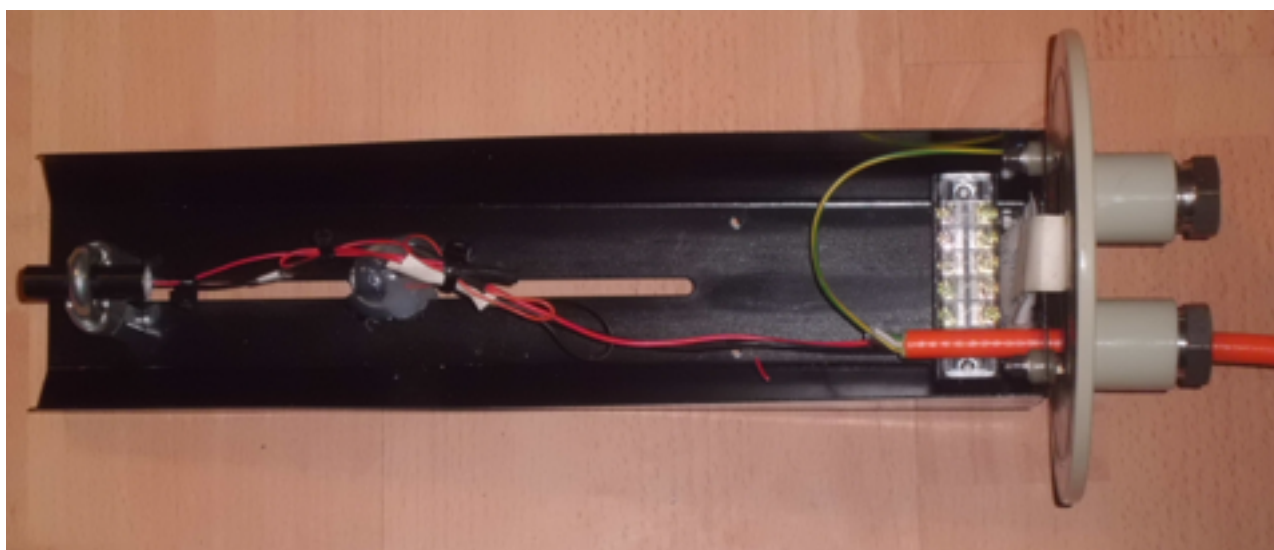




Cross laser with red light and 20 mW power at 635 nm color



Connection of laser unit

Red cable + 12-24 VDC

Black cable - Ground

Power consumption max 0.2 W

Casing stainless steel with Grey epoxy paint

Encapsulation IP 68 water proof.

AIRPROOF SERIES

MD6004 CAMERA HOUSING

PRODUCT FEATURES

- Stainless steel material
- Type A for zoom lens camera
- Type B for fixed lens camera
- Type C for camera with wiper and sunshield
- Optional auto-heating
- Applied in great change atmospheres
- Tough steel glass for window
- Housing back with 2 or 3 outlets
- Indoor and outdoor installation for all weather use
- IP68

DESCRIPTION

MD6004 as a classical and matured monitoring product has been used stably for many years.

MD6004 inside could be fixed camera, zoom camera or integrated camera.

Stainless steel structure to satisfy all kinds of environment, working under -40°C to +60°C for longtime stably.

24VAC or 220VAC power supply.

TYPE

MD6004-1A	Airproof, standard type
MD6004-1B	Airproof, small type
MD6004-2A	Airproof, dustproof (standard type)
MD6004-2B	Airproof, dustproof (small type)
MD6004C	All-weather, with sunshield and wiper

Type A/B



Type C

Sunshield could efficiently reduce the temperature of equipment, wiper to ensure a clear window.

Window adopts good steel glass to ensure a good picture quality.

With two or three cable outlets, use steel tube to protect cable.

Low temperature auto-heating optional.

RELATED EQUIPMENTS

FSYT	Airproof pan/tilt
KJ2028S	Airproof decoder controller

AIRPROOF SERIES

MD6004 CAMERA HOUSING

MECHANICAL

Material	Stainless steel 1Cr18Ni9Ti or 316L
IP	IP68
Inner size	
MD6004-1A/2A	260(L) x 80(H) x 60(W) mm
MD6004-1B/2B	190(L) x 70(H) x 50(W) mm
MD6004C	260(L) x 75(H) x 60(W) mm
Viewing window	8mm thick
View window area	Φ66mm
Wind mouth size	3/8" screw
Wind pressure	0.1~0.3Mpa
Weight	
MD6004-1A	6Kg / 8Kg
MD6004-1B	4Kg / 6Kg
MD6004-2A	6Kg / 8Kg
MD6004-2B	5Kg / 7Kg
MD6004C	9kg / 11Kg
Cable outlet qty	
MD6004A/B	2
MD6004C	3
Outlet type	G-3/4"
Installation	Pan/tilt, half-fixed pan/tilt, fixed bracket

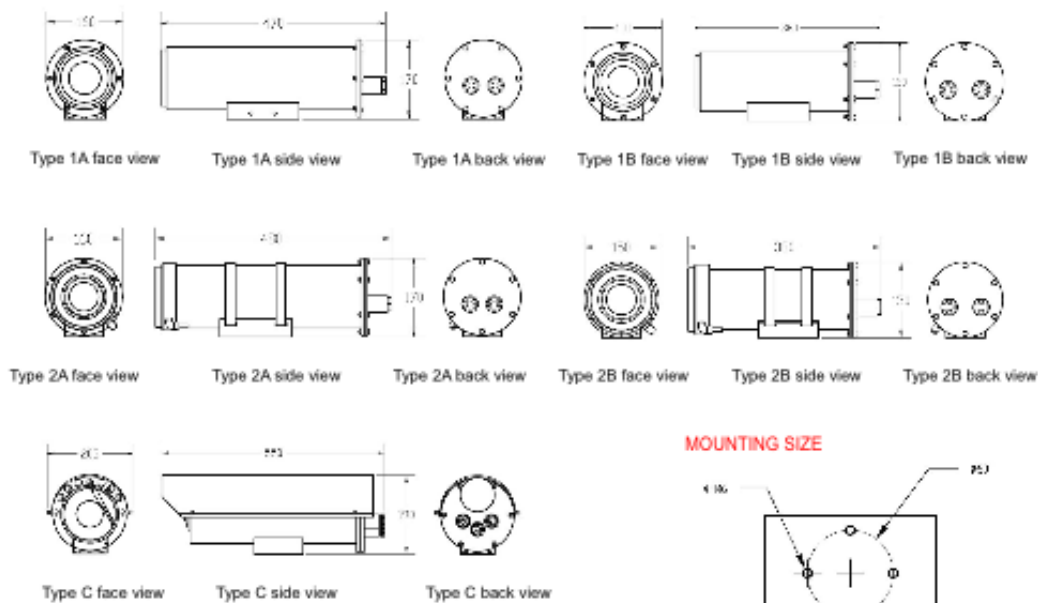
ELECTRIC

Input voltage	220VAC/24VAC, 50/60Hz
Voltage scope	±10%
Working current	≤0.5A
Heater(optional)	To setup while it is -10℃±5℃
Wiper	220VAC/50Hz or 24VAC/50Hz
Power consumption	30W with heater
Electric connection	2-core for power 4-core for lens 4-core for wiper 1 video cable

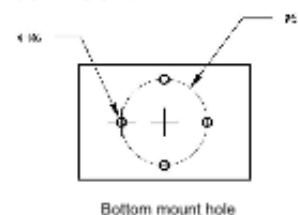
ENVIRONMENTAL

Air pressure	86~106KPa
Temperature	-40℃~+60℃
Humidity	≤95%RH(+25℃)

DIMENSIONS



MOUNTING SIZE



Unit : mm.