

ALTM 2500 rugged laser altimeter with 2500m meter in range

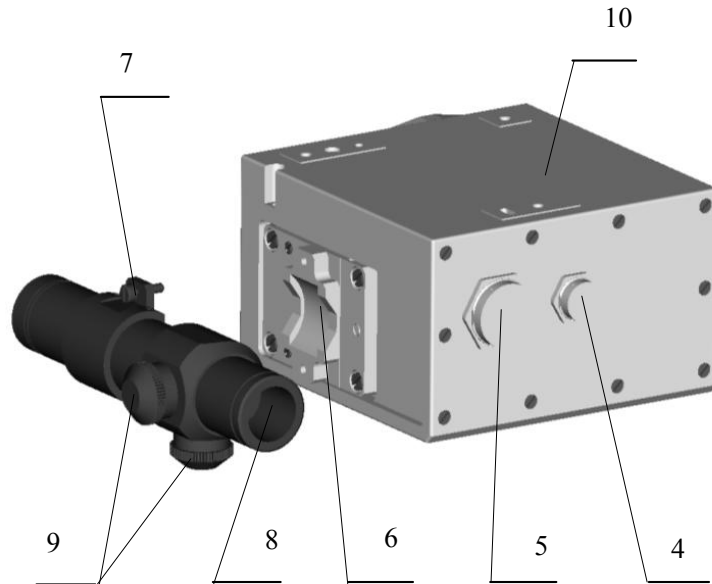


ALTM 2500 is a laser altimeter system in a rugged design aimed for altimeter and measuring applications in various type of aircrafts.

It is a MIL style / Aircraft design for demanding applications in altimetry. The high speed of 1000 Hz makes it possible to see high and narrow obstacles that are missed by radar systems and slower systems. System can detect 2 individual reflexes at a single laser pulse.

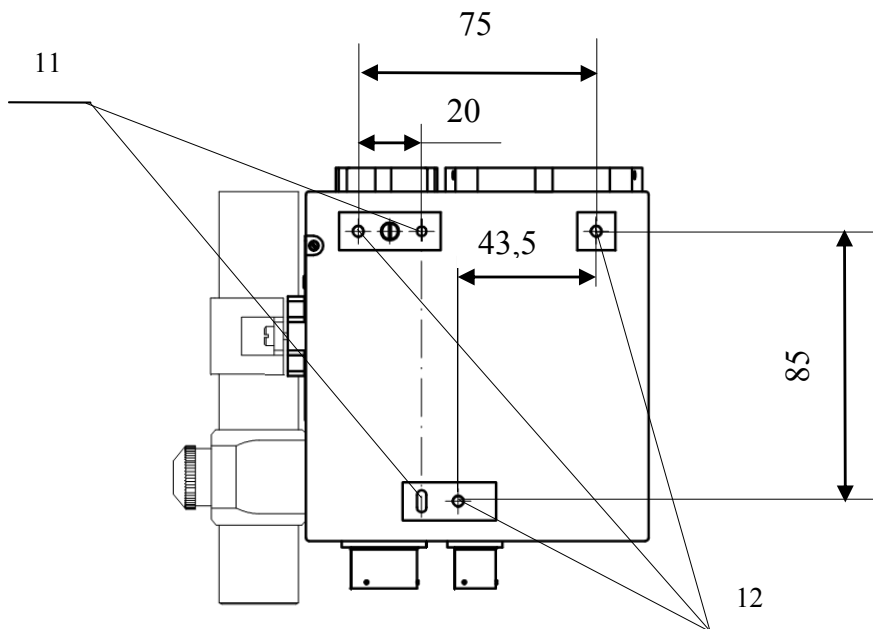
Mode of radiation	pulse
Laser radiation wavelength.....	(905±10) nm
Pulse energy, not more	2 microJ
Pulse repetition rate	1 kHz
Beam divergence.....	2 mrad.
Absolute error of distance measurement	±2 m
Range of measured distances	From 30 to 2500 m
(for diffusely reflecting target with reflection factor ≥0.4 and angular size 2x2 mrad, meteorological visibility range ≥10 km)	
Number of simultaneously registered targets	2
Visible magnification of the optical vizor	3.5 ^x ±10 %
Angular field of view of the optical vizor.....	5°±10 %
Time of distance measurement, not more	1 second
Mounting holes.....	M4x6H
Weight, not more.....	1.2 kg
Overall dimensions (without the optical vizor), not more.....	150x120x70 mm
Power source	External stabilized DC source with the voltage of 6 V ±5% and pulsations of not more than 50 mV
Consumed current, not more	0.7A
Protection of covers (body).....	IP57

ALTM 2500 rugged laser altimeter with 2500m meter in range



4 – connector for power supply; 5 – connector for external devices; 6 – setting prism; 7 – mounting screws; 8 – ocular of the optical vizer; 9 – adjustment mechanisms;
10 – basement

Figure 2 – General View of the Rangefinder (rear view)



11 – holes for guide-pins;
12 – threaded holes for mounting the rangefinder

Figure 3 – General View of the Rangefinder (bottom view)