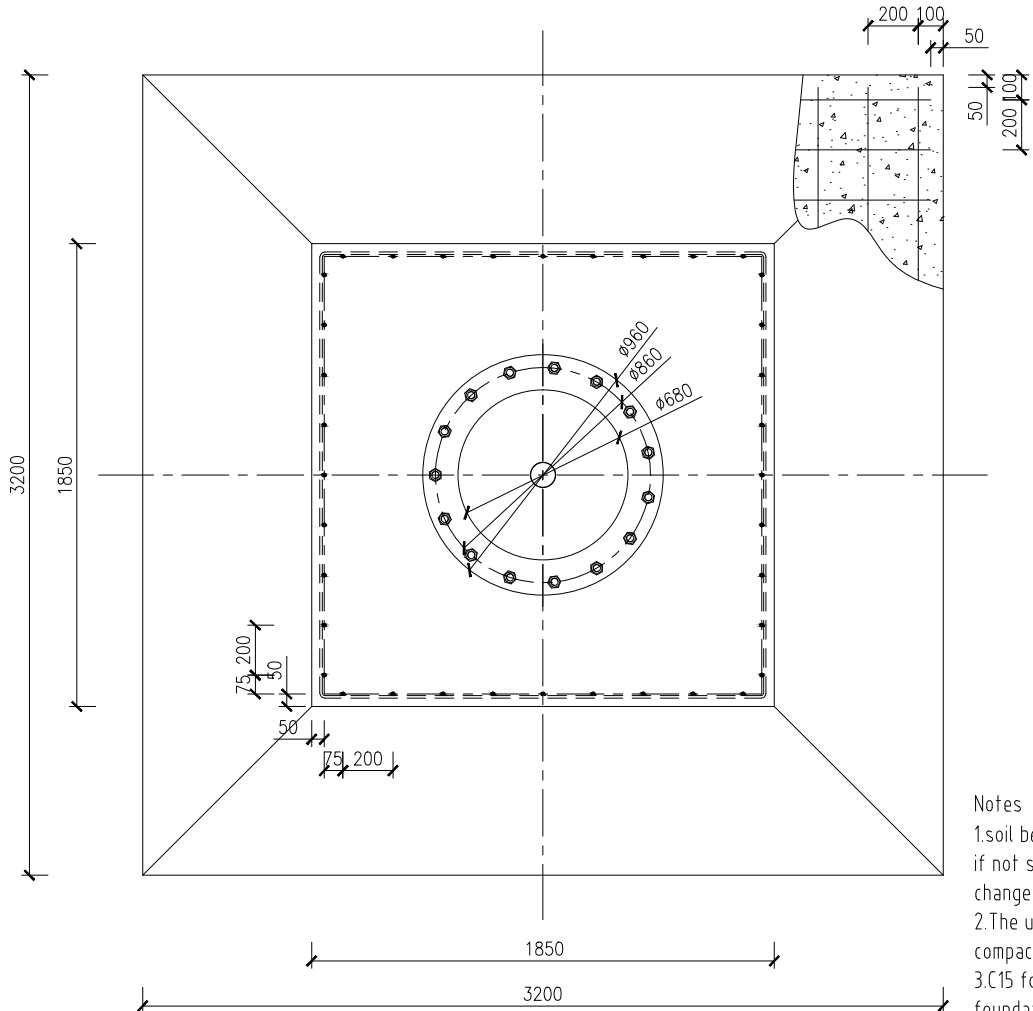
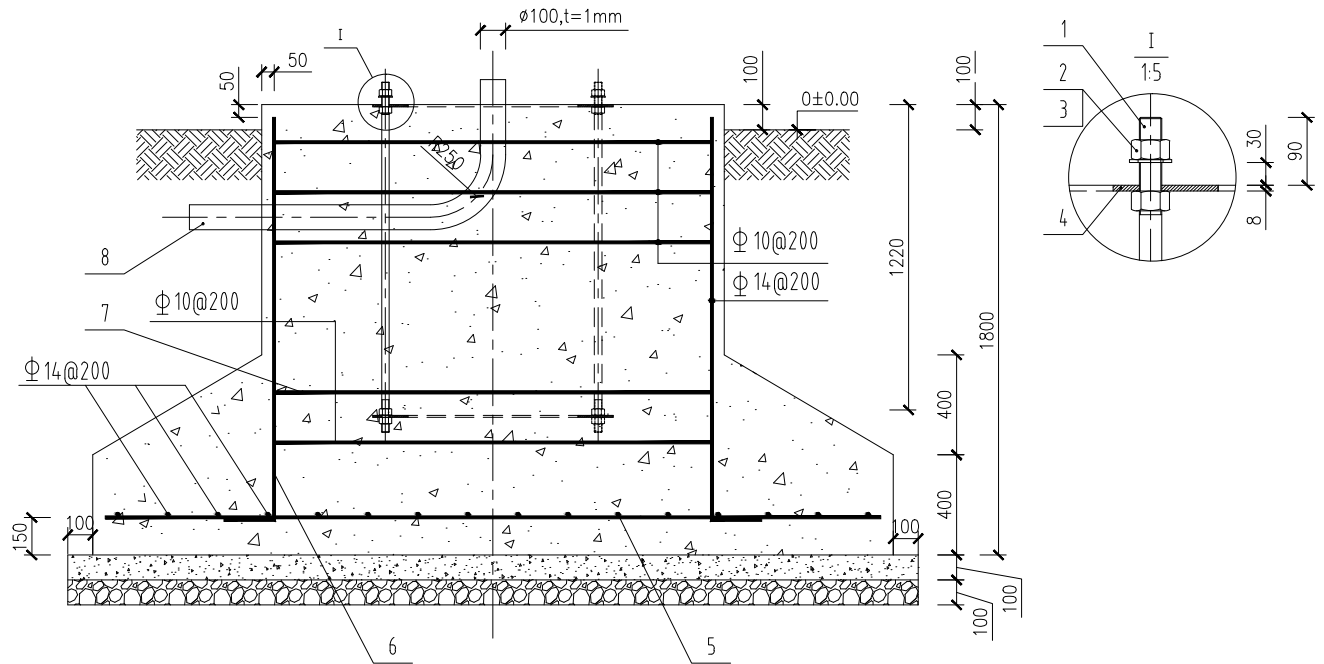
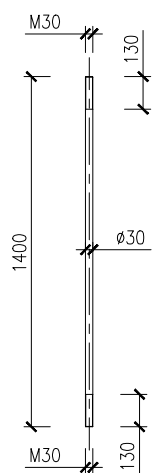


FV-ISS050-09-00-A



Anchor Bolt



- Notes
1. soil bearing capacity must meet $f_{ak} \geq 100kpa$, if not special treatment including soil changes shall be taken.
 2. The underlying layer for cushion course is compacted with crushed stone and plain soil.
 3. C15 for cushion course and C25 for foundation;
 4. e50mm for bar protection layers;
 5. Backfills must be compacted by layers;
 6. Anchor bolts must be vertical to the ground;
 7. Plastic papers shall be used in protecting threads and bolts.

9		Concrete: 10.13m ³				
8	Threading Tube	1	PVC		100mm	
7	Bar-3	5	HRB335			
6	Bar-2	36	HRB335			
5	Bar-1	32	HRB335			
4	FV-ISS050-09-02-A	2	Q235B			
3	Plan Washer	15	35			
2	Nut	60	45			
1	FV-ISS050-09-01-A	15	45#			
Item	Code	Name	QTY	Material	Single Total Weight	Remarks

Marker	#/ty	Revision	Signature	Date
Created by		Standardized by		
Calculated by		Determined by		
Checked by		Approved by		
Technology		Date		

Foundation for V-5kW 9m Tower

FV-ISS050-09-00-A		
Pattern Mark	Weight	Scale
		1:15
Total:	Page:	