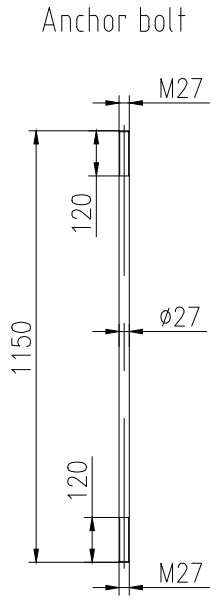
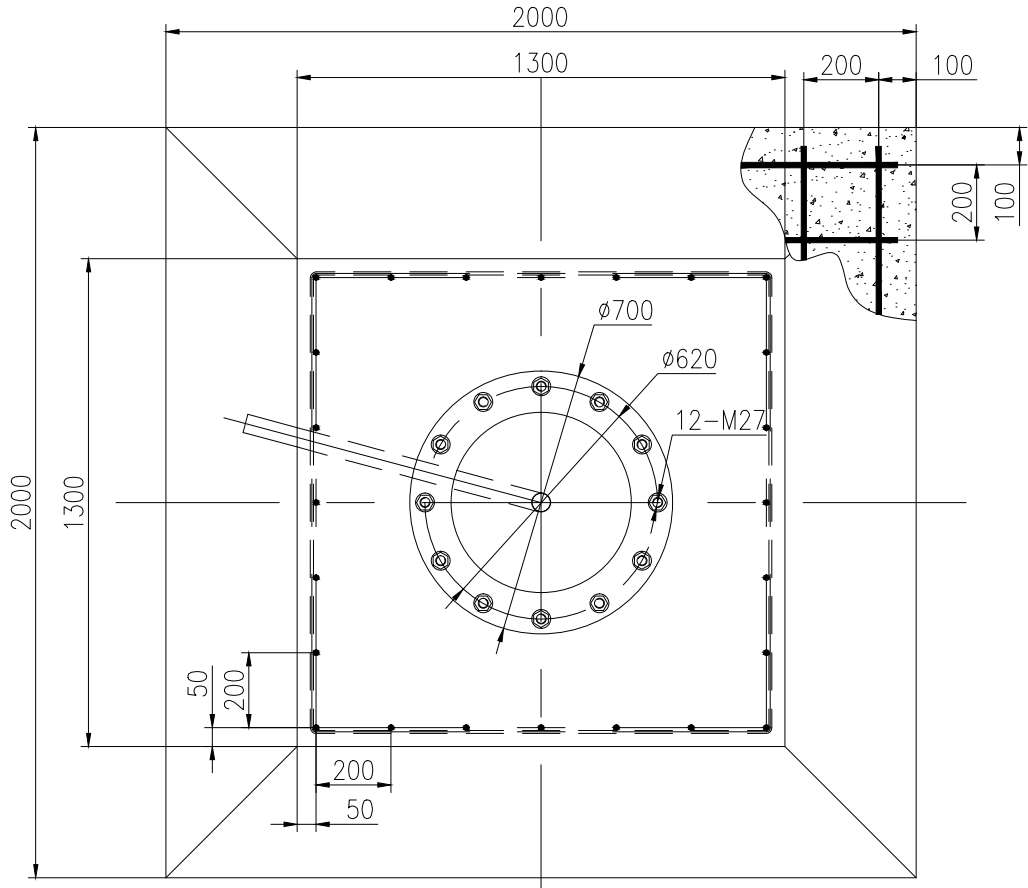
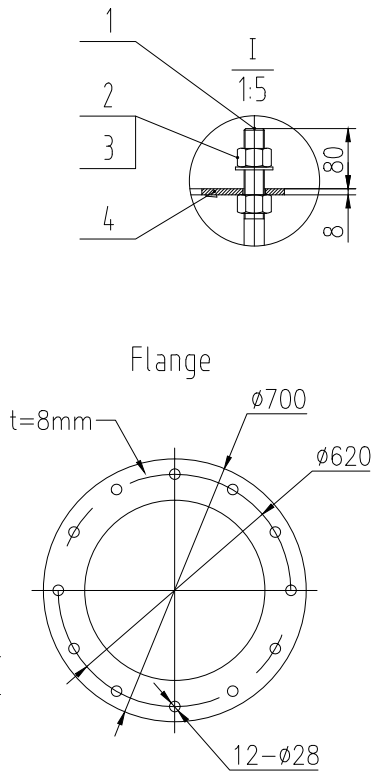
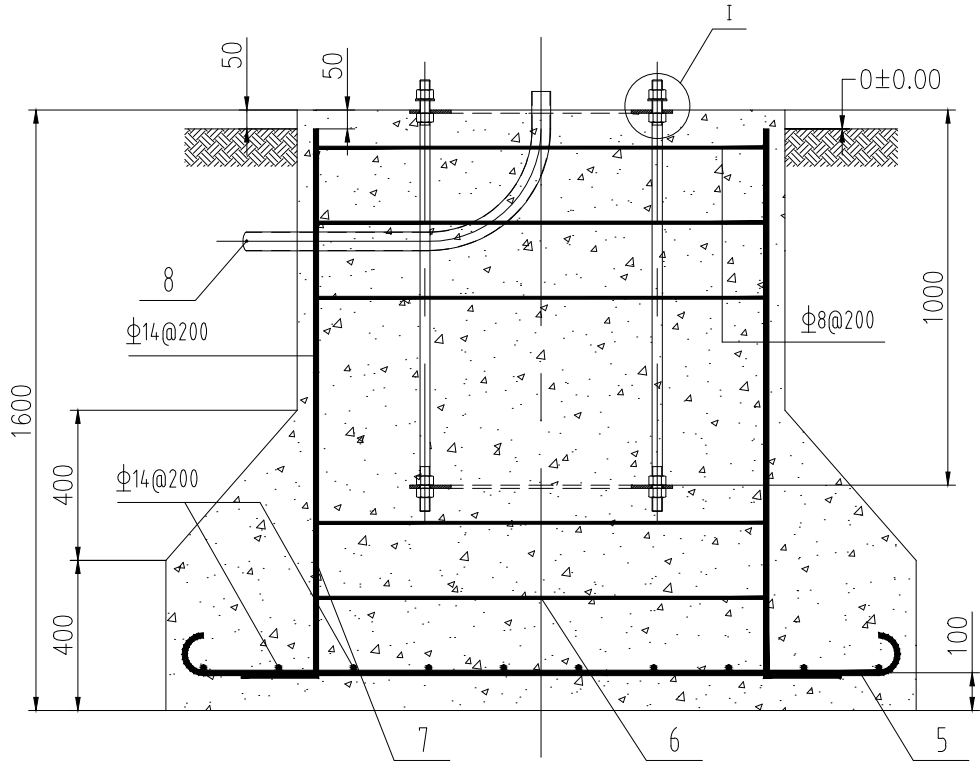


FV-ISS010-12-00-A



Notes

1. Bearing stratum of sub-grade earth is $f_{ak} \geq 100\text{KPa}$
2. Anchor bolts must be Vertical to the Ground.
3. The Foundation must be concreted continuously.

Item	Code	Name	QTY	Material	Single Weight	Total Weight	Remarks
9		Concrete		C25		3.185m ³	
8		Threading tube	1	PVC			
7		Longitudinal bar	24	HRB335			
6		Hoop bar	5	HRB335			
5		Transerve bar	20	HRB335			
4	FV-ISS010-12-02-A	Flange	2	Q235B			
3		Plain washer	12	35#			
2		Nut	48	45#			
1	FV-ISS010-12-01-A	Anchor bolt	12	45#			

Marker	#/ty	Revision	Signature	Date

Foundation for V-KW 12m Tower			FV-ISS010-12-00-A		
Pattern Mark	Weight	Scale	Page		
		1:10			
Total:			Page:		