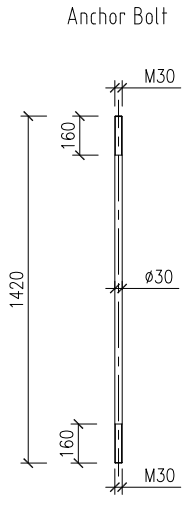
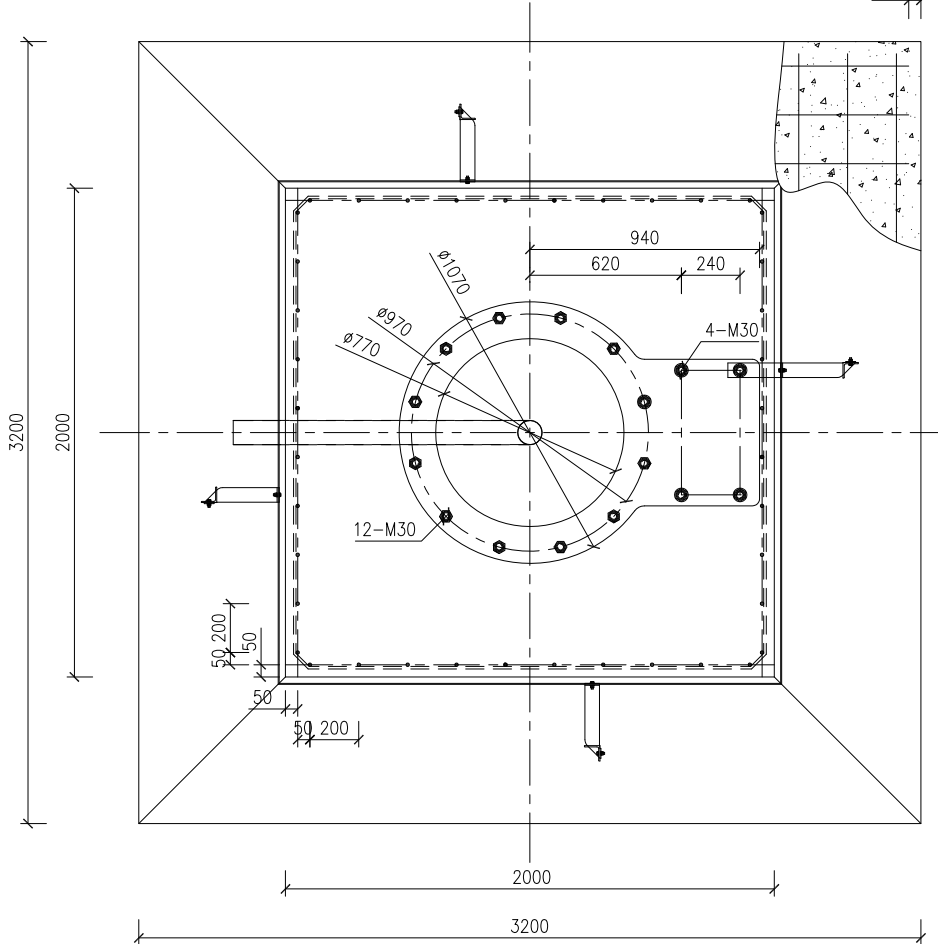
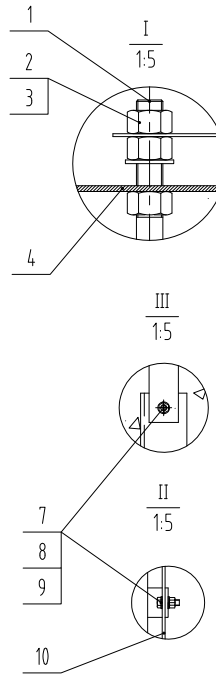
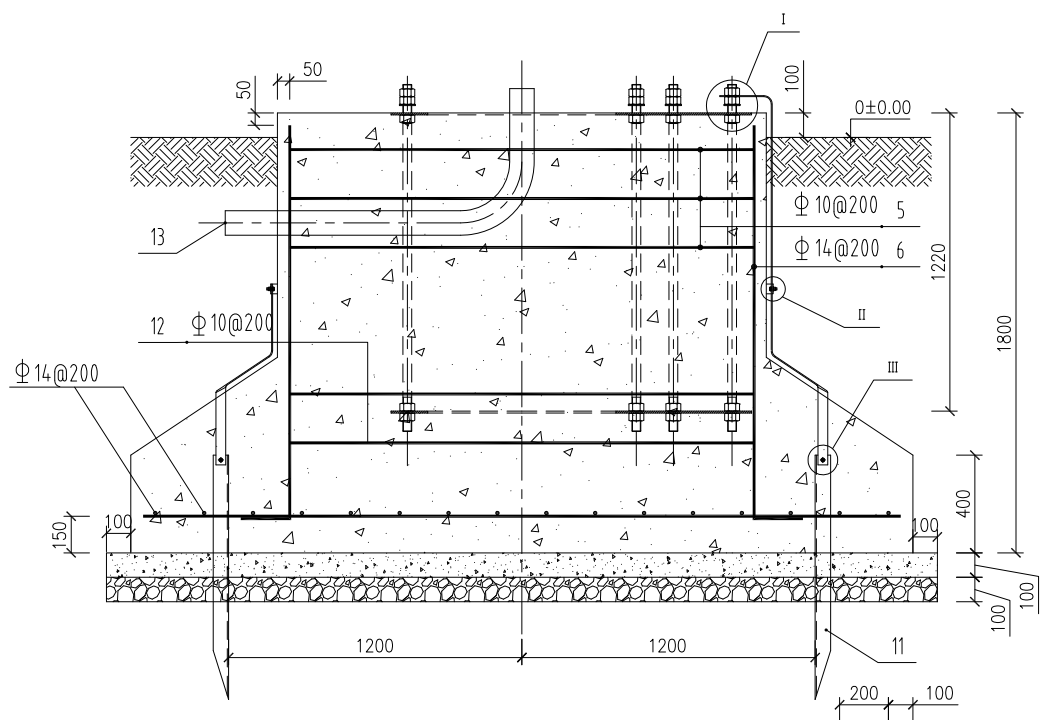


FV-YSS100-12-00-A



- Notes
1. soil bearing capacity must meet $f_{ak} \geq 100kpa$, if not special treatment including soil changes shall be taken.
 2. The underlying layer for cushion course is compacted with crushed stone and plain soil.
 3. C15 for cushion course and C25 for foundation;
 4. e50mm for bar protection layers;
 5. Backfills must be compacted by layers;
 6. Anchor bolts must be vertical to the ground;
 7. Plastic papers shall be used in protecting threads and bolts.

	Concrete	10.84m ³		
13	Threading tube	1	PVC	Φ100, t=1mm
12	Reinforced Bar 3	5	HRB355	
11	Angle Steel 63X5	4	Q235B	1500mm/pc
10	Flat Iron	1	Q235B	60x4x12300mm
9	GB/T 41-2000 Nut M8	8		
8	GB/T97.1-2002 Plain Washer 8	16	200Hv	
7	GB/T5783-2000 Bolt M8X25	8		8.8
6	Reinforced Bar 2	36	HRB355	
5	Reinforced Bar 1	32	HRB355	

4	FV-YSS050-09-02-A	Flange	2	Q235B			
3		Plain washer	16			M30	
2		Nut	80			M30	
1	FV-YSS050-09-01-A	Anchor Bolt	16	4.5#		M30, 12.9	
Item	Code	Name	QTY	Material	Single Weight	Total Weight	Remarks
Foundation for V-10kW 12m Tower							FV-YSS100-12-00-A
					Pattern Mark	Weight	Scale
							1:15
					Total:	Page:	

Created by	Revised	Signature	Date
Standardized by			
Colated by		Determined by	
Checked by		Approved by	
Technology		Date	