

# MICROGEN'S 1.0kW Biomass Linear Free Piston Stirling Engine

## BIOMASS /BIOGAS ENGINE



# Basic Specification for the 1.0kW engine

## Main Functions

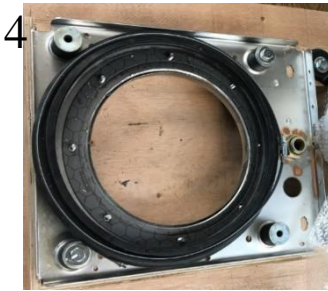
- 1.0kw rated power
- Efficiency at nominal conditions, engine only: approx. 25%
- Weight: around 60kg
- Dimensions: round 300mm x 500mm high

## Operating Conditions

- Voltage: Min 186V, Max 254V, nominal 230V
- Frequency: 50 or 60Hz
  - Min 49.5hz, max 50.5hz, nominal 50Hz
  - Min 59.5Hz, max 60.5Hz, nominal 60Hz
- Recommended Water flow rate: > 7L/min
- Water temps: 6 to 75°C
- Ambient temps: 6°C to 70°C
- Maximum casing vibration movement: 80 microns
- The engine is certified for sale in Europe under the Machinery Directive. The engine has been sold in CE certified European appliances since 2008.
- Heat output to coolant: 3 +/-0.5 KW nominal
- For full specification see MEC-PS-726 (MEC PM1 Engine Specification)



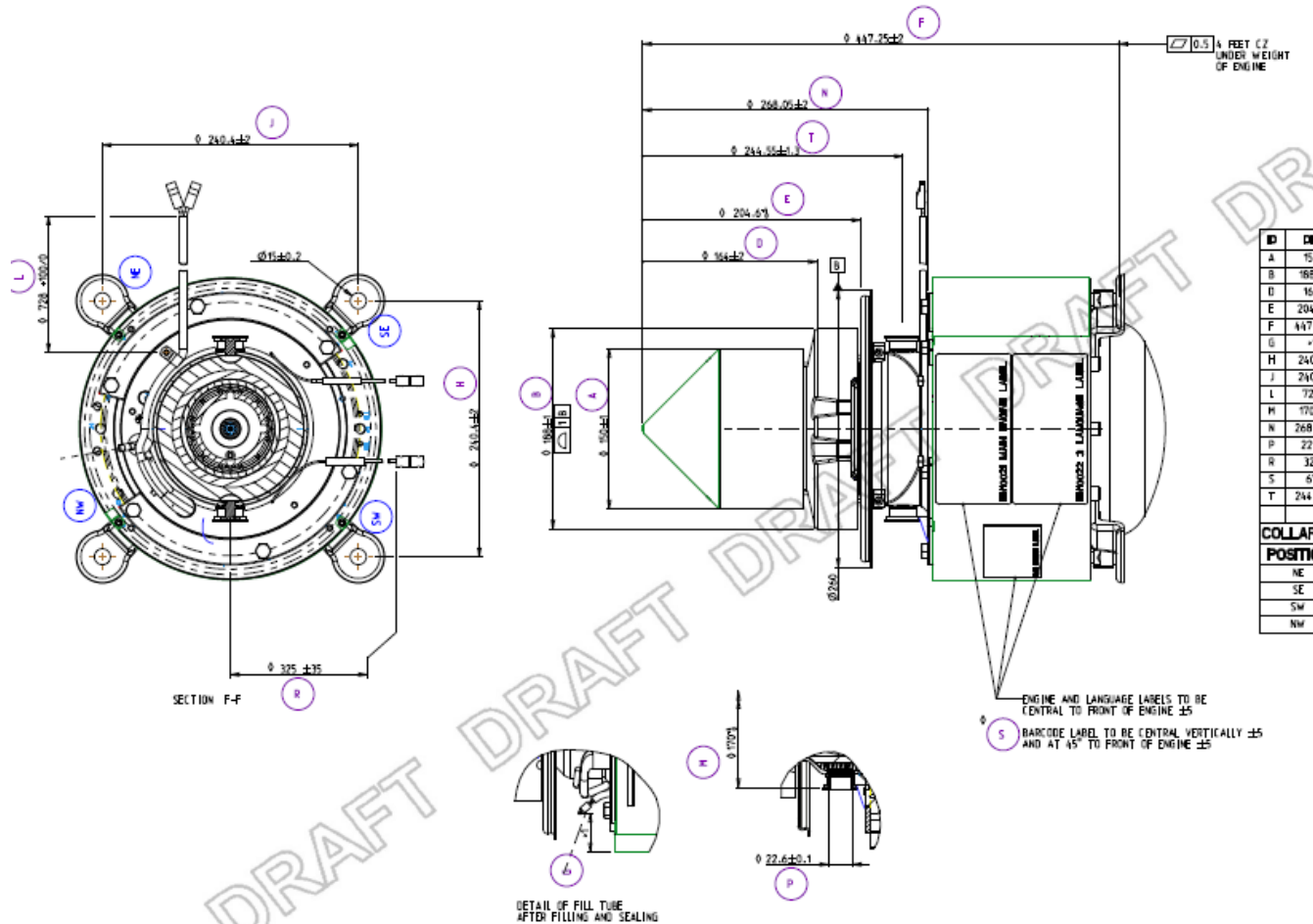
# Parts in the 1.0kW Quick Starter Kit



1. Biomass engine; 2. cooling circuit hoses; 3. water flow sensor kit with connection pipes; 4. second hand engine mounting bracket with omega seal and clamps; 5a,5b,5c choice of suspension systems, 6. Microgen Data viewer software; 7. Wired Controls box for grid connected 50/60Hz operation



# Bullet Biomass Engine Dimensions



ID	DI
A	151
B	168
D	16
E	204
F	447
G	1
H	240
J	210
L	72
M	170
N	268
P	22
R	32
S	51
T	244

**COLLAR**  
**POSITK**  
NE  
SE  
SW  
NW

# Uniqueness

**AS FAR AS MICROGEN IS AWARE, WE ARE THE ONLY COMPANY IN THE WORLD IN MASS PRODUCTION OF MAINTENANCE FREE 1-2KW FREE PISTON STIRLING ENGINES.**

**WE HAVE BEEN DOING SO SINCE 2008.**

