

SM300M (FR)

RED LINE



Technology is combined with aesthetics in a new line of Peimar red colored monocrystalline modules, which contributes to preserving the natural beauty of the surrounding environment without sacrificing high performance. The red color is obtained thanks to the use of tempered glass with pigmentation in nanotechnology, superimposed on the highly performing monocrystalline perc cells. The Red line blends perfectly into the surrounding environment, making it particularly suitable for installations in areas subject to landscape restrictions, without any disadvantages in terms of quality and efficiency.



30 YEAR LINEAR POWER WARRANTY

20 YEAR PRODUCT WARRANTY



PERC TECHNOLOGY



MODULE FIRE PERFORMANCE: **CLASS 1**

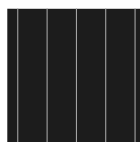


ANTI-REFLECTIVE GLASS



QBE INSURANCE
Product Liability Insurance QBE

CELLS



60 CELLS
MONO 5BB M3 | **PERC**

158.75x158.75mm / 6.25x6.25"

FRAME



COMPACT AND STURDY | **40mm**
RED (RAL 8015)

ANCHORABLE ALSO ON THE SHORT
SIDE ⁽⁵⁾

GLASS



TREATMENT OF PIGMENTED
NANOPARTICLES

RED COLORING

ELECTRICAL CHARACTERISTICS (STC) ⁽¹⁾

Nominal Output (Pmax) ⁽²⁾	
Sorting Tolerance	
Voltage at Pmax (Vmp)	
Current at Pmax (Imp)	
Open Circuit Voltage (Voc) ⁽²⁾	
Short Circuit Current (Isc) ⁽²⁾	
Maximum System Voltage	
Maximum Series Fuse Rating	
Module Efficiency	
Protection class against electric shock	

SM300M (FR)	
Nominal Output (Pmax) ⁽²⁾	300 W
Sorting Tolerance	0/+5 W
Voltage at Pmax (Vmp)	33.05 V
Current at Pmax (Imp)	9.08 A
Open Circuit Voltage (Voc) ⁽²⁾	40.33 V
Short Circuit Current (Isc) ⁽²⁾	9.72 A
Maximum System Voltage	1500 V
Maximum Series Fuse Rating	20 A
Module Efficiency	17.98%
Protection class against electric shock	Class II

MECHANICAL CHARACTERISTICS

Solar Cells	60 (6x10) M3 monocrystalline PERC
Solar Cells Size	158.75x158.75 mm / 6.25x6.25"
Front Cover	3.2 mm / 0.13" thick, low iron tempered glass
Back Cover	TPT (Tedlar-PET-Tedlar)
Encapsulant	EVA (Ethylene vinyl acetate)
Frame	Anodized aluminium alloy, double wall
Frame finishing	Red (RAL 8015)
Backsheet finishing	Black
Glass	Red (treatment of pigmented nanoparticles)
Diodes	3 Bypass diodes serviceable
Junction Box	IP67 rated
Connector	MC4 or compatible connector
Cables Length	900 mm / 35.43"
Cables Section	4.0 mm ² / 0.006 in ²
Dimensions	1665x1002x40 mm / 65.55x39.45x1.57"
Weight	18.6 Kg / 41 lbs
Max Load (Test Load) - SF	5400 Pa - 1.5 ⁽⁵⁾

TEMPERATURE CHARACTERISTICS

NMOT ⁽³⁾	45±2 °C
Temperature Coefficient of Pmax	-0.37 %/°C
Temperature Coefficient of Voc	-0.28 %/°C
Temperature Coefficient of Isc	0.042 %/°C
Operating Temperature	-40 °C ~ +85°C

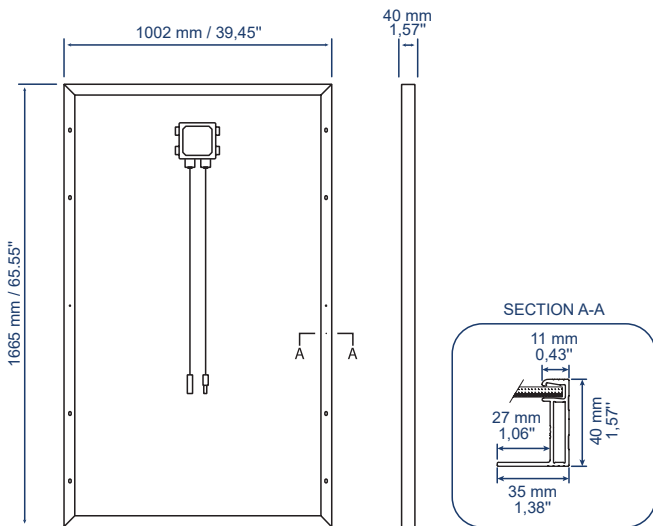
PACKAGING ⁽⁴⁾

Pallet dimensions	1720x1200x1210 mm / 67.72x47.24x47.64"
Pieces per pallet	27
Weight	535 Kg / 1179 lbs

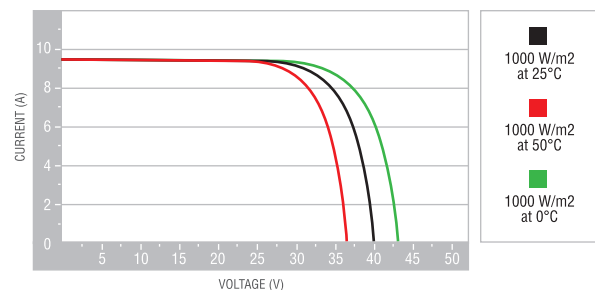
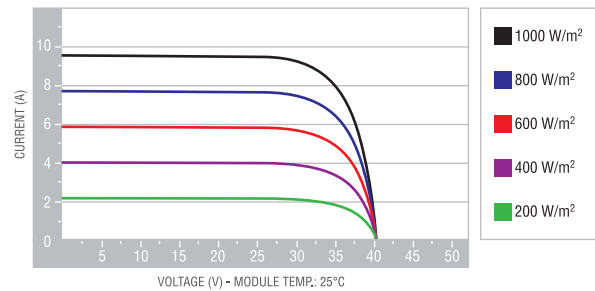
CERTIFICATIONS

Fire Resistance Rating	Class of reaction to fire: 1 (UNI 9177)
------------------------	---

DIMENSIONS



CURRENT/VOLTAGE CHARACTERISTICS



1. STC: (Standard Test Condition) Irradiance 1000W/m²; Module Temperature 25°C; Air Mass 1.5
2. Pmax, Voc, Isc measurement tolerance: ±3%
3. NMOT: Nominal Module Operating Temperature; Irradiance 800W/m²; Air 20°C; Wind speed 1m/s

4. Pallets can be stacked up to two
5. Consult the installation manual for the relative mounting configurations