

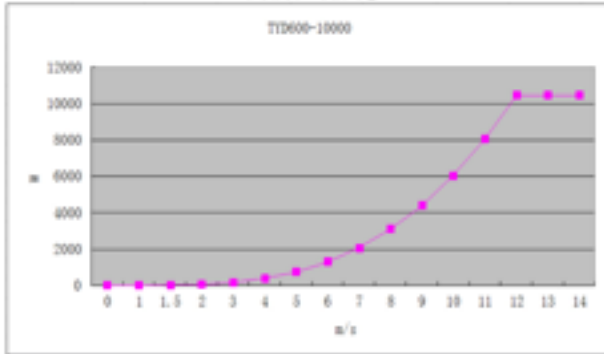
VWM 10 is a 10 KW vertical wind mill designed and produced by an old and large supplier of qualified wind mills. Several are installed in windy arctic areas and they are very solid in mechanics. Vertical turbines are silent and have low



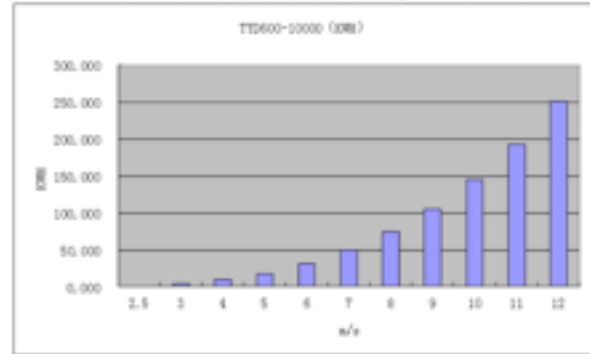
vibrations. The lower speed of turbine wheel makes them far less noisy than propeller turbines. VWM 10 has a special outer stator flat motor with a special designed magnetic field that is very efficient and compact.

Performance and production

Power Curve



Production Curve



SPECIFICATIONS

Dimensional specifications

Averagediameter: 4.5
 Height (m): 7.5
 Sweptarea(m²): 33.75
 Weight (kg): 595.0
 Wind leaf number: 3.0

Specifications of the generator

Alternator: Axial flux permanent magnet synchronous AC generator (NdFeB)
 Alternator (Weight): 104.0
 Drive: direct

Operational specification

Nominal power (12m/s): 10000w
 Rated Rotatoin Speed(RPM): 100
 Startup speed (m/s): 2.0
 Initial production speed: 3.0
 Cut-out wind speed: 25
 rated wind speed: 12.0
 Maximum wind speed: 60
 Turbine class: IV(IEC 61400-2)
 Monitoring system: PWM/MPPT
 Braking system: electromagnetic

Innovative characteristics

Extension of series of windmill biggest characteristic: cited the high-tech aluminum alloy material, the resistance parameter increased, reduced size, reduced weight, good operation performance in low wind speed conditions

Installation

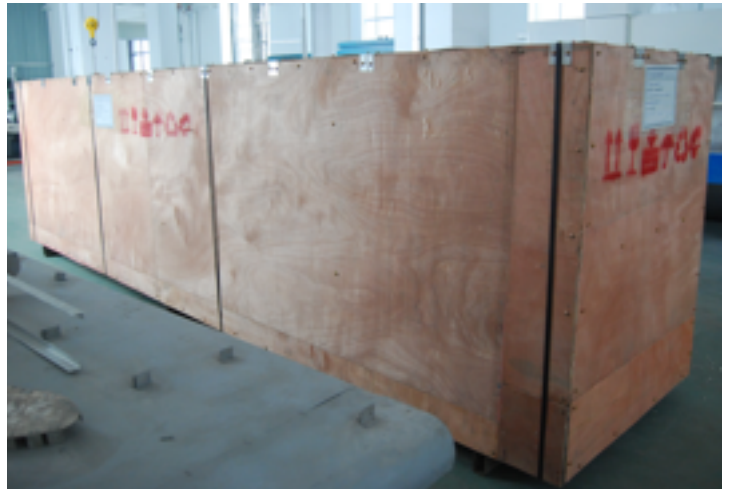
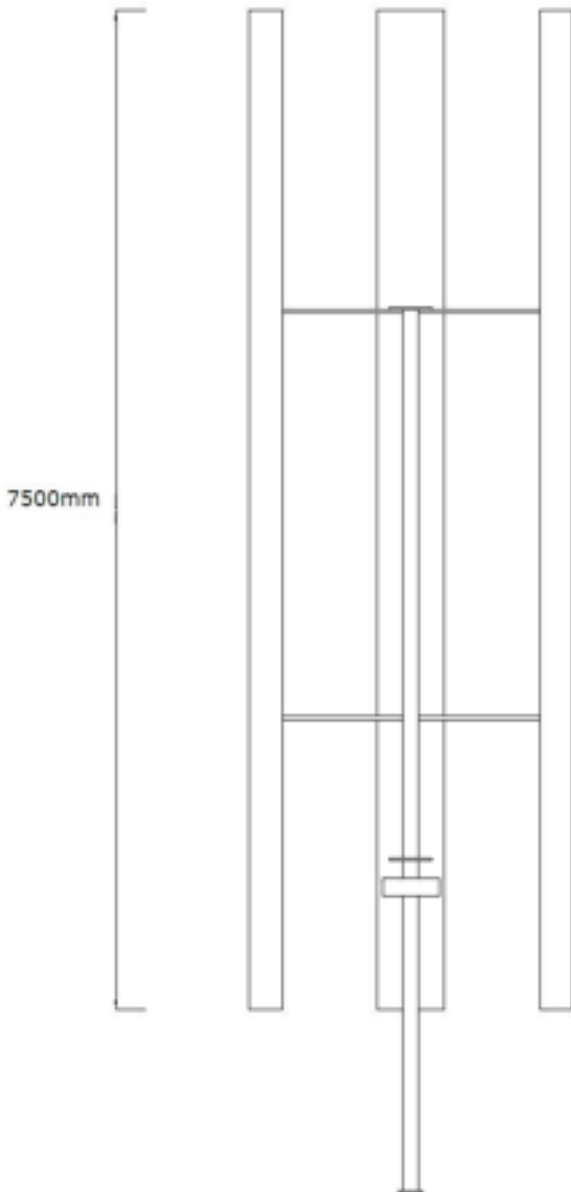
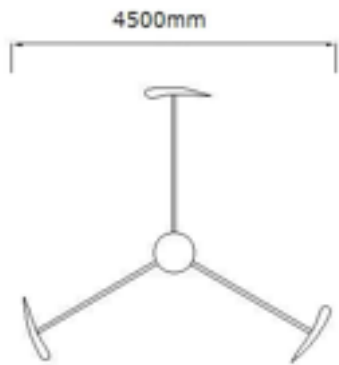
Installation is very simple: installing the first day you can monitor its start and power generation

Applications

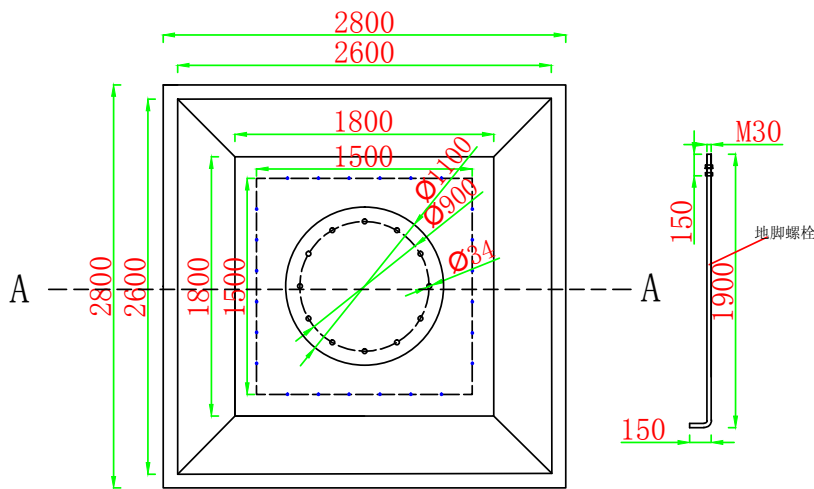
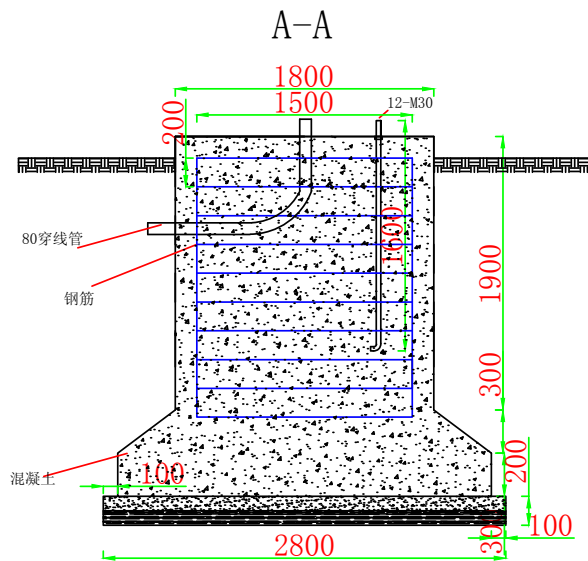
Extension of series fan is widely used in many environments, architectural elements unique design not only makes the fan into the beautiful, the vertical axis technology makes fan multi-angle wind, almost no noise

10KW vertical wind mill

10000W
Blade Height: 7500mm
Blade Width: 700mm
Diameter: 4500mm
Generator: 613*350mm



Components of the wind mill.
Masts 12 meter long.
Rotor unit. Grid inverter and controller. The system is delivered in plywood containers for shipping.



Proposal about a cement foundation design as remade unit you get there by a crane. Easier is to make direct at site in a hole in earth. Here the volume and weight can be about the same. If there are rocks bolt into rocks can be an alternative. Rock must have a good quality and bolts long

Sunnytek Sweden Glimmervägen 8 187 34 Täby, Sweden
 Sunnytek Burundi Avenue Ndora 3 No 27 Bujumbura, Burundi
 Web sites www.sunnytek.se www.sunnytek.nu

E-Mail sales@sunnytek.se
 E-Mail barnabe@sunnytek.nu
 All Registered companies