



Cincindela is a led lamp system designed for street illumination and other applications where demands are high and environmental demands are modern. The lamp is designed for a 60 mm diameter pole and have a solid design in casted aluminum with a modern design. The lamp is designed and developed in Sweden with highest demands in quality and reliability.

Features of Cincindela LED lamps.

- * Led emitter of COB type with highest optical efficiency in flux / W output
- * European / US made key components designed for max life time and reliability
- * Unique cooling design makes components to operate at lower temperature than normal
- * Natural white light at about 5000 K in color temperature
- * Rectangular output beam for best adaption to road like surfaces and lowest waist light spread beside important areas (Light Pollution)
- * Solid design is casted aluminum with powder paint coating
- * Bracket that handle vertical 60 mm diameter poles as well as 10 degree up pole tops

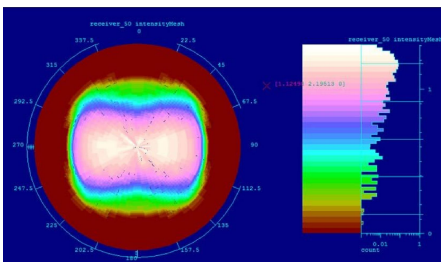
Sunnytek sell this lamp in cooperation with our partner Industrispår in Sweden.

Cincindela is a small bug that looks a bit like the casing of the lamp. this comes from the shape of the lamp.

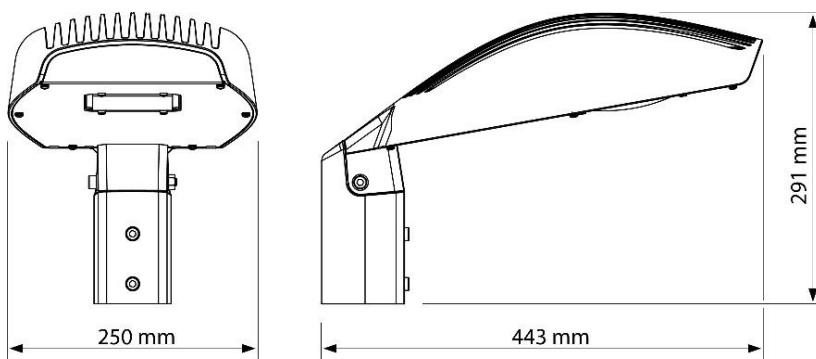


Technical specifications of Cincindela led lamp

Housing	Casted aluminum with red powder paint.
Weight	7,5 Kg complete with bracket
Encapsulation	IP 65 waterproof and corrosion resistant to a very high degree
Operating temperature	- 35 C to + 60 C in ambient air temperature
Connection	Cable 3x1,5 mm ² grounded plastic cable
Cable length	50 cm out of end of casted bracket, flying leads.
Light flux	6000 Lumen +- 5 % at 20C ambient temperature
Efficiency	160 Lumen/W on led emitter alone at 25C in temperature 144 Lumen/ W on complete system including led driver but ex. lens.
Color temperature	5000 K natural white CRI color rendering index 70
Led emitter	COB array of Non Asian brand
Life expectancy	60 000 hours with 70% of original output still available
Lens system/ Window	BK 7 glass optics and 100% UV light resistant to degeneration (see image)
Illumination field of view	70x135 degree square beam with rounded corners
Optics transmission	90% through lens
Input voltage	90-305VAC 50-60 Hz with Power factor 0.95
Start up time	Less 1 sec
CE standards	EN 61347-1 and EN 61347-2-13
UL standard	UL 8750, UL 935, UL 1012, UL 1310 Class 2, CSA-C-22.2 No 107.1, CSA C 22.2 No 223-M91 Class 2, Comply with UL8750 & EN 61347 Safety regulations.



Rectangular beam fits a road surface far better than other patterns. Often we can use longer distance between lamps (Fewer lamps) as the very uniform light pattern still makes light better than what old Sodium and Mercury lamps can offer. Advanced aspheric un-linear optics get this output. Light pollution is highly reduces and this saves power as well as do not disturb neighbours.



Sunnytek Sweden Glimmervägen 8 187 34 Täby, Sweden
 Sunnytek Burundi Avenue Ndora 3 No 27 Bujumbura, Burundi
 Web sites www.sunnytek.se www.sunnytek.nu

E-Mail sales@sunnytek.se
 E-Mail barnabe@sunnytek.nu
 All Registered companies